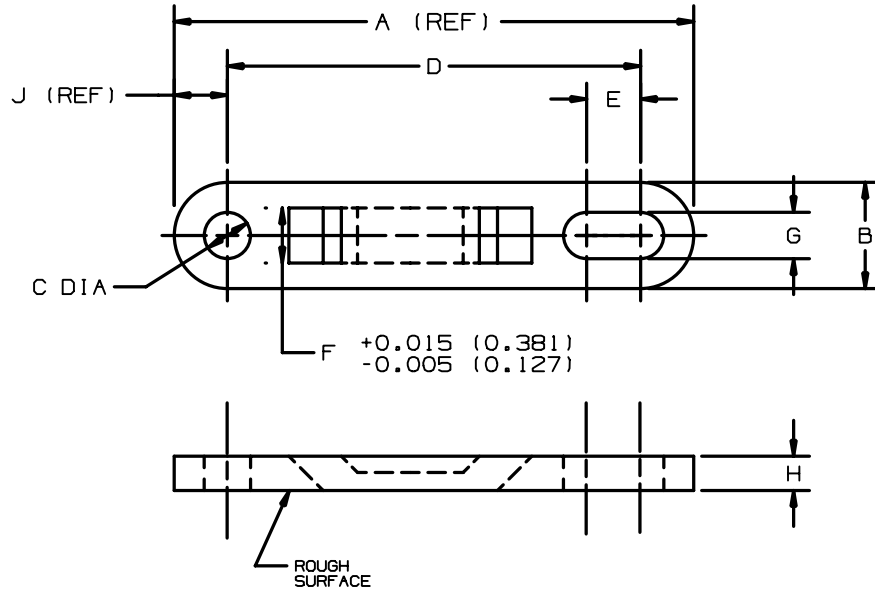


THIS COPY IS PROVIDED ON A RESTRICTED BASIS AND IS NOT TO BE USED IN ANY WAY DETRIMENTAL TO THE INTERESTS OF PANDUIT CORP.



PANDUIT PART NO.	DIMENSIONS								REC. FAST.	USE WITH ANY OF THESE CABLE TIE CROSS-SECTIONS	WEIGHT lbs 100 (g) pcs.
	A	B	C & G	D	E	F	H	J			
TP2	1.98 (50.3)	0.50 (12.7)	0.20 (5.1)	1.60 (40.6)	0.40 (10.2)	0.20 (5.1)	0.125 (3.2)	0.188 (4.8)	#10 (M5) SCREW	MINATURE, INTERMEDIATE, STANDARD	0.34 (154.4)
TP4H	3.08 (78.2)	0.62 (15.7)	0.27 (6.9)	2.50 (63.5)	0.31 (7.9)	0.32 (8.1)	0.203 (5.2)	0.289 (7.3)	1/4 (M6) SCREW	MINATURE, INTERMEDIATE, STANDARD, & HEAVY	1.07 (485.8)

NOTES:

- SEE CURRENT PRICE SHEET FOR PART NUMBER SUFFIX DESIGNATION FOR PACKAGE SIZE.
- CUSTOMER TO PROVIDE ADHESIVE.
- SURFACE NOTED HAS ROUGH SURFACE FINISH FOR INCREASED ADHESION OF USER APPLIED ADHESIVE.

DIMENSIONS IN BRACKETS ARE METRIC [ mm ]

CAD FILENAME/LAYER: G0239JR\_PB\_TP2TP4H\_01

**PANDUIT** CORP. TINLEY PARK, ILLINOIS

TIE PLATE MOUNT  
(TP2 AND TP4H)

UNLESS OTHERWISE SPECIFIED,  
DIMENSIONAL TOLERANCES ARE:  
(.X)  $\pm 0.05$  (1.3) (.XXX)  $\pm 0.010$  (0.25)  
(.XX)  $\pm 0.02$  (0.5) ANGLES  $\pm 5^\circ$

UNLESS OTHERWISE SPECIFIED,  
ALL DIMENSIONS ARE GIVEN  
IN INCHES, THIRD ANGLE PROJECTION.

REV	DATE	BY	CHK	DESCRIPTION	ECN - R	CUST	SUP	DRN BY	MAT'L:	SCALE	DWG NO.	DWG SIZE
1	5/19/03	LGG		CORRECTED SPELLING IN DRAWING NAME WAS PALTE, CHG TO PLATE.	G80239JR	1		JAD	NYLON 6/6	NONE	G80239JR	A
R	9/13/02	JAD		RELEASE, REPLACES SS-997	G80239JR	R		DATE 9/13/02				
								DR'D				